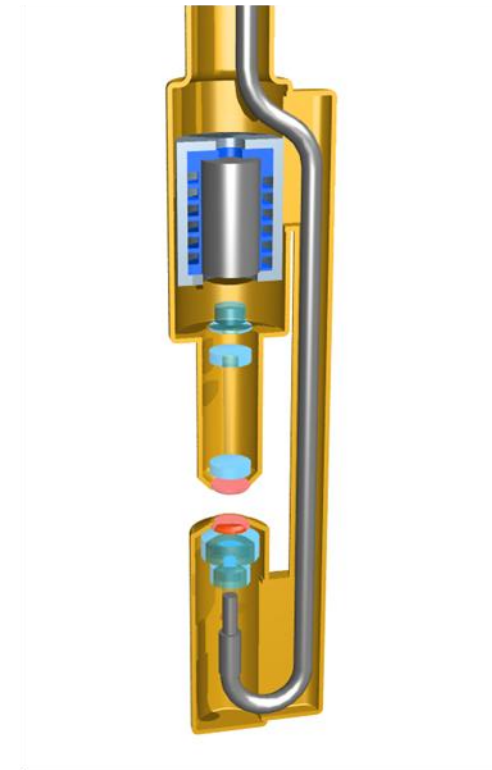
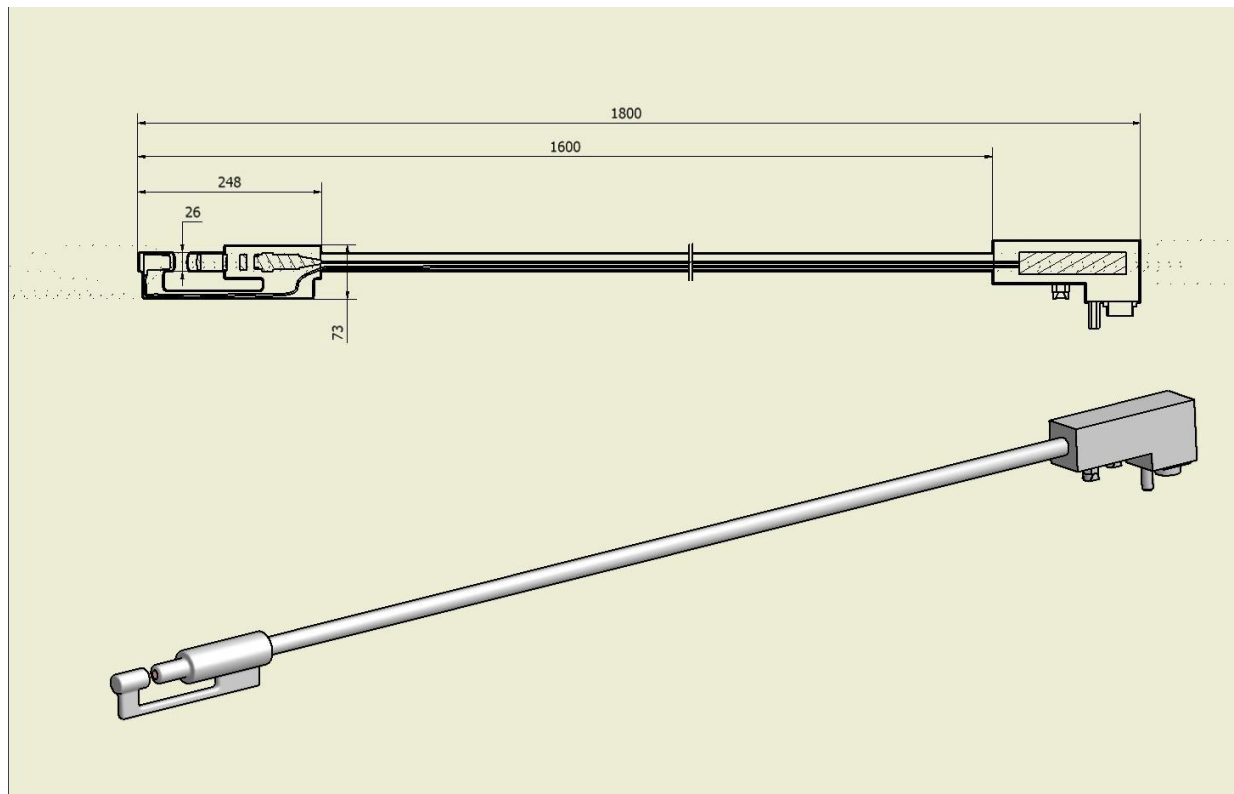


## Datasheet ISPV XL Video Probes

Date: April 15<sup>th</sup>, 2011, rev: 1.2



Type	Diameter (mm) wet part	Length (mm) wet part	Optical resolution ( $\mu\text{m}$ )	Field of View (mm)	Particle size range ( $\mu\text{m}$ )
ISPV-N50-XL	50 / 67	1600	10	6mm x 4mm	10 .. 500
ISPV-M50-XL	50 / 67	1600	2.5	1.5mm x 1.0	1 .. 120

- Standard RVS316 material and Viton sealings
- Optional Hasteloy C276 and/or Kalrez and/or PTFE sealings
- Optional different lengths

General specifications:

Flash time adjustable	Yes (3 $\mu\text{s}$ .. 200 $\mu\text{s}$ )
Flash intensity adjustable	Yes
Camera	768 x 576, progressive scan
Temperature range	-20C .. 120C
Pressure range	1 .. 6 bar
Interface	1Gb Ethernet
Power consumption	10W, 12VDC mains adapter
Control box	Included

When included, the following processing workstation may apply:

Processor	Intel i7
RAM	4GB
Display	24", 1920 x 1200 resolution
Hard drive	500GB main, 500GB video store
Operating system	Windows 7