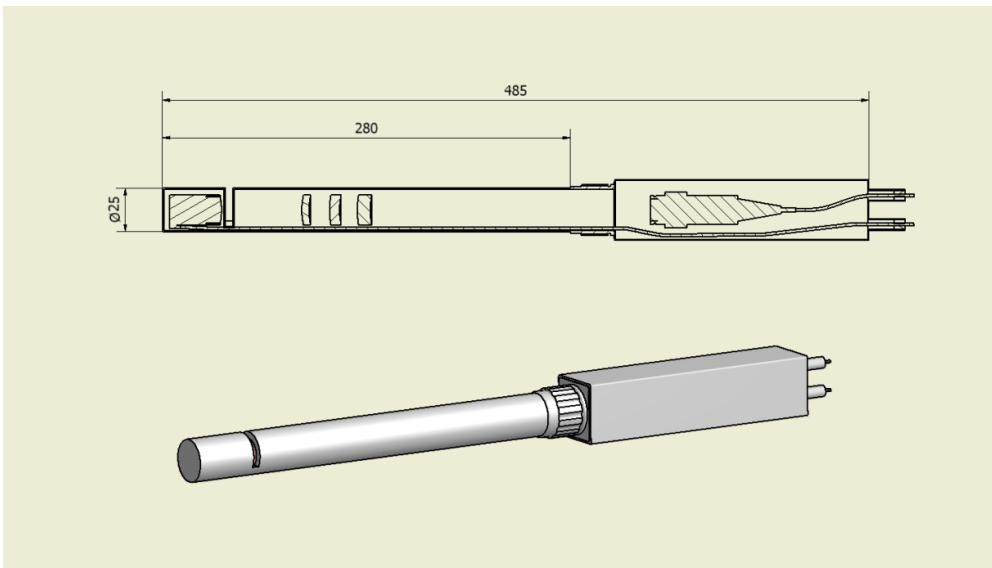


Datasheet ISPV Standard Video Probes

Date: April 15th, 2011, rev: 1.1



note: measures may be subject to change

| Type | Diameter (mm) wet part | Length (mm) wet part | Optical resolution (μm) | Field of View (mm) | Particle size range (μm) |
|------------|---------------------------|-------------------------|--------------------------------------|--------------------|--|
| ISPV-N25 | 25 | 270 | 10 | $\varnothing 10$ | 10 .. 500 |
| ISPV-XM25 | 25 | 270 | 1 | 1.3 x 1.0 | 1 .. 100 |
| ISPV-M19 | 19 | 270 | 2.5 | $\varnothing 3.0$ | 2.5 .. 250 |
| ISPV-N25-L | 25 | 1060 | 10 | $\varnothing 10$ | 10 .. 500 |

- Standard RVS316 material and Viton sealings
- Optional Hasteloy C276 and/or Kalrez sealings and/or PTFE sealings

General specifications:

| | |
|----------------------------|---|
| Flash time adjustable | Yes (1 μs .. 200 μs) |
| Flash intensity adjustable | Yes |
| Focus adjustable | Yes |
| Camera | 1360 x 1024 progressive scan |
| Temperature range | -20C .. 120C |
| Pressure range | 1 .. 6 bar |
| Interface | 1Gb Ethernet |
| Power consumption | 5W, 12VDC mains adapter |
| Control box | n/a |

When included, the following processing workstation may apply:

| | |
|------------------|-------------------------------|
| Processor | Intel i7 |
| RAM | 4GB |
| Display | 24", 1920 x 1200 resolution |
| Hard drive | 500GB main, 500GB video store |
| Operating system | Windows 7 |